

GENERAL NOTES:

- 1.) STEEL ASTM
 A. MATERIALS SHALL CONFORM TO THE FOLLOWING SPECIFICATIONS UNLESS NOTED ON THE DRAWINGS:
 ANCHOR RODS FT554-36
 WIDE FLANGE AND WT SHAPES ASTM A992
 CHANNELS AND ANGLES ASTM A36
 STRUCTURAL PIPE ASTM A53, TYPE E OR S, GR. B
 STRUCTURAL TUBING ASTM A500, GR. B
 PLATES ASTM A36

- 2.) COATINGS
 STRUCTURAL STEEL SHERWIN WILLIAMS S/C GRAY
 MATERIAL ABOVE ROOF HOT DIP GALVANIZED

- 3.) CONNECTIONS
 A. ALL CONNECTIONS SHALL BE SHOP WELDED, FIELD BOLTED OR FIELD WELDED. THE FOLLOWING BOLTING CRITERIA SHOULD BE USED:
 HEAVY HEX STRUCTURAL BOLTS - SHOP: 3/4" A325N-ST HEAVY HEX BOLTS AND NUTS
 FIELD: 3/4" A325N-ST HEAVY HEX BOLTS AND NUTS (UNO) SUPPLIED ON S.O.#2509353
 REFER TO THE ELEVATION DRAWINGS E301 & E302 FOR BOLTING REQUIREMENTS AT BRACE FRAME MEMBER AND GIRT END CONNECTIONS

FIELD WELDS - E70-LH

B. FIELD BOLTS THAT VARY FROM THE ABOVE SPECIFIED JOB STANDARD REQUIRED TO COMPLY TO CONNECTION DESIGNS AND ARE NOTED ON ERECTION DRAWINGS.

C. INSTALLATION FOR JOINT TYPES AND BOLT GRADES ABOVE SHALL COMPLY WITH SECTION 4 & 7 OF RESEARCH COUNCIL ON STRUCTURAL CONNECTIONS

D. ERECT BEAMS AGAINST TAB PLATES AS SHOWN IN PLAN.

4.) PIECE MARKING SYSTEM:

SAMPLE PIECE MARK:

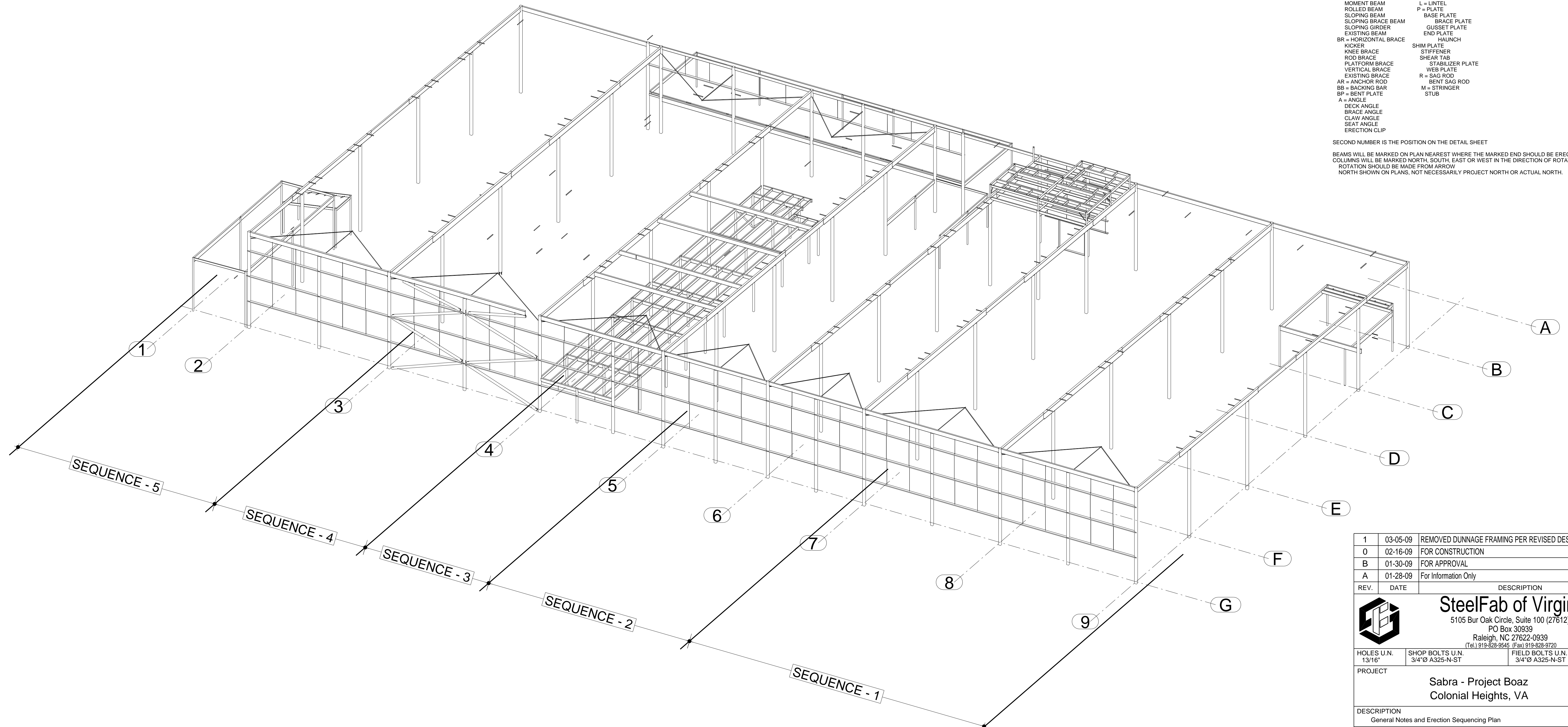
12B6

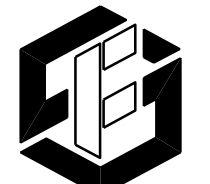
FIRST NUMBER IS DETAIL SHEET WHERE MEMBER IS DETAILED, LETTER IS DESCRIPTION OF MATERIAL.

- C = BRACE COLUMN EM = EMBED
 COLUMN EA = EMBED ANGLE
 MOMENT COLUMN EP = EMBED PLATE
 EXISTING COLUMN FR = FRAME
 B = BEAM G = GIRTS
 BRACE BEAM GR = GUIDE RAILS
 BENT BEAM HR = HANDRAIL
 GIRDER H = HANGER
 MOMENT BEAM L = LINTEL
 ROLLED BEAM P = PLATE
 SLOPING BEAM BASE PLATE
 SLOPING BRACE BEAM BRACE PLATE
 SLOPING GIRDER GUSSET PLATE
 EXISTING BEAM END PLATE
 BR = HORIZONTAL BRACE HAUNCH
 KICKER SHIM PLATE
 KNEE BRACE STIFFENER
 ROD BRACE SHEAR TAB
 PLATFORM BRACE STABILIZER PLATE
 VERTICAL BRACE WEB PLATE
 EXISTING BRACE R = SAG ROD
 AR = ANCHOR ROD BENT SAG ROD
 BB = BACKING BAR M = STRINGER
 BP = BENT PLATE STUB
 A = ANGLE
 DECK ANGLE
 BRACE ANGLE
 CLAW ANGLE
 SEAT ANGLE
 ERECTION CLIP

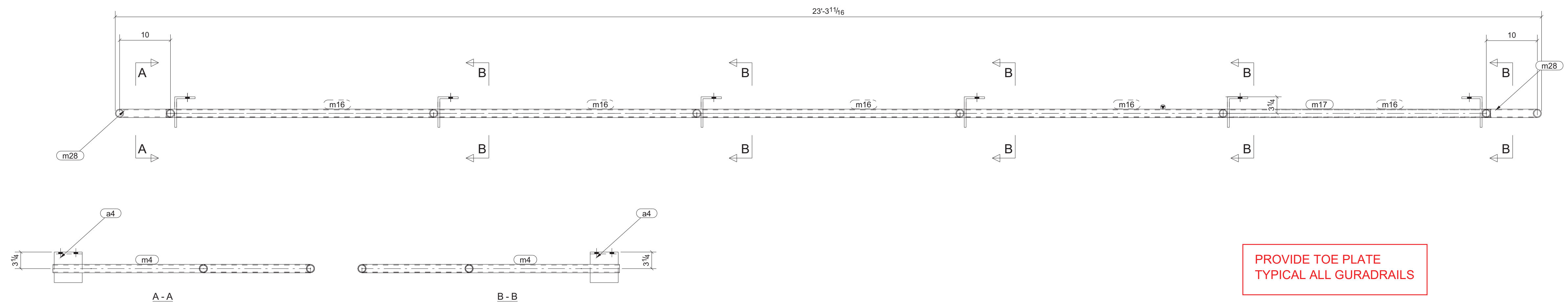
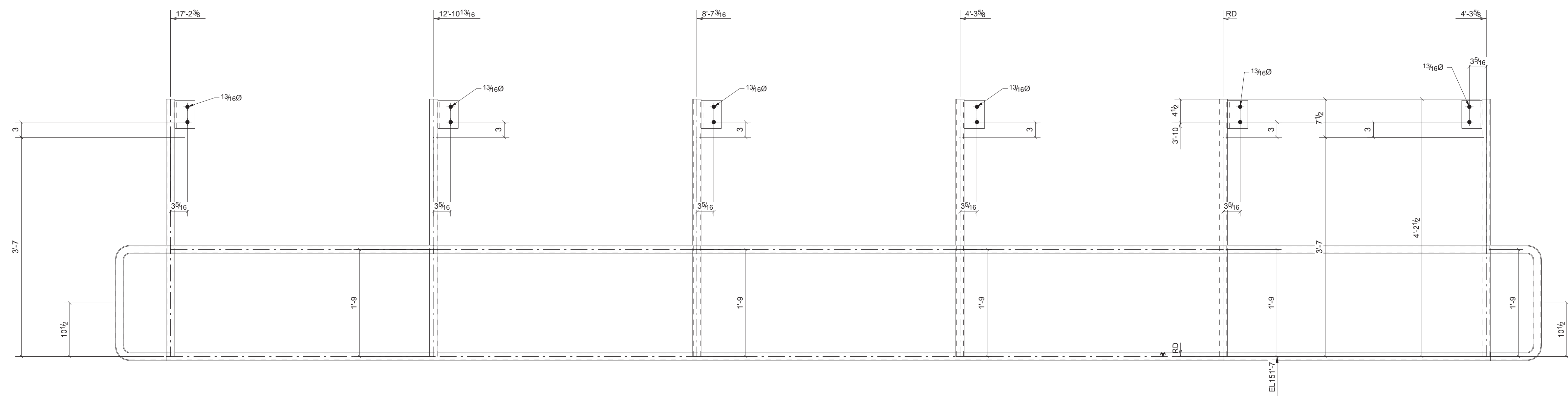
SECOND NUMBER IS THE POSITION ON THE DETAIL SHEET

BEAMS WILL BE MARKED ON PLAN NEAREST WHERE THE MARKED END SHOULD BE ERECTED. COLUMNS WILL BE MARKED NORTH, SOUTH, EAST OR WEST IN THE DIRECTION OF ROTATION, ROTATION SHOULD BE MADE FROM ARROW NORTH SHOWN ON PLANS, NOT NECESSARILY PROJECT NORTH OR ACTUAL NORTH.



1	03-05-09	REMOVED DUNNAGE FRAMING PER REVISED DESIGN DRAWINGS
0	02-16-09	FOR CONSTRUCTION
B	01-30-09	FOR APPROVAL
A	01-28-09	For Information Only
REV.	DATE	DESCRIPTION
 SteelFab of Virginia 5105 Bur Oak Circle, Suite 100 (27612) PO Box 30939 Raleigh, NC 27622-0939 (Tel) 919-828-9545 (Fax) 919-828-9720		
Holes U.N. 13/16"	Shop Bolts U.N. 3/4" A325-N-ST	Field Bolts U.N. 3/4" A325-N-ST
PROJECT	Sabra - Project Boaz Colonial Heights, VA	
DESCRIPTION	General Notes and Erection Sequencing Plan	
ARCH. The Dennis Group	ENG. The Dennis Group	DATE 04/13/2009
CUSTOMER The Dennis Group	JOB NO. 25093	DRAWN BY SF-Cola
	SHT. NO. E101	CHKD. BY SF-Cola

Sequencing Diagram

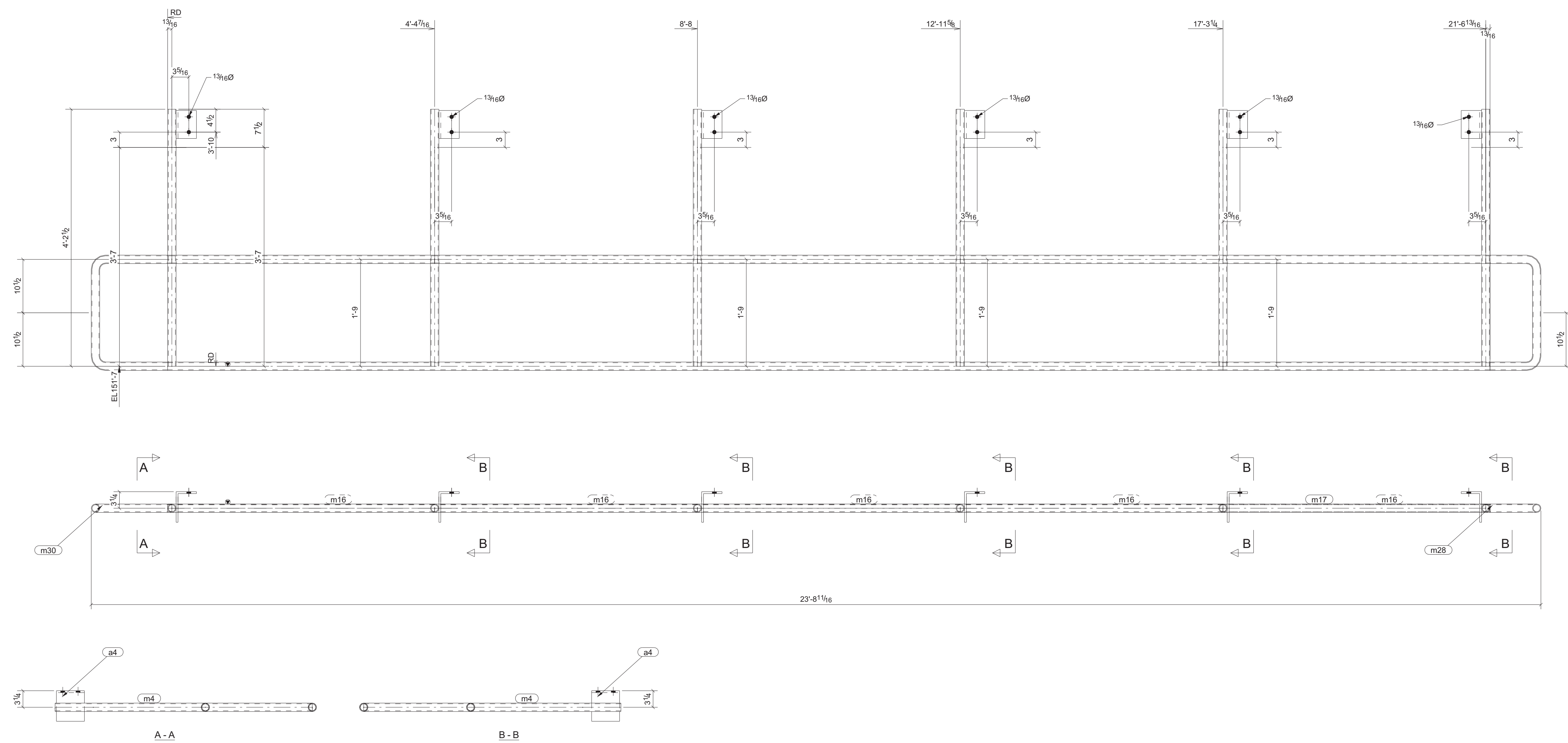


ONE - RAIL - 1HR1

BILL OF MATERIAL								
Qty Ea.	Qty Tot	Piece Mark	Description	Length	Weight Total	Remarks	Adv Mill #	Steel Grade
	1	1HR1	RAIL					
1	1		PIPE1-1/4SCH40	17'-3 1/4"	36	SQ-2		A53
6	6	a4	L6X4X3/8	0'-5 1/2"	34			A36
6	6	m4	PIPE1-1/4SCH40	4'-2 1/2"	53			A53
5	5	m16	PIPE1-1/4SCH40	4'-3 5/8"	45			A53
1	1	m17	PIPE1-1/4SCH40	4'-4 7/16"	9			A53
2	2	m28	PIPE1-1/4SCH40	3'-2 7/16"	14			A53

STEEL ASTM A992 UNO	PROJECT NAME Sabra - Project Boaz
ELECTRODES E70xx LH UNO	LOCATION COLONIAL HEIGHTS VIRGINIA
WELDS 1/4 BUTT/FILLET U.N. UNO	CONTRACTOR STEEL FAB
OPEN HOLES 13/16" UNO	ARCHITECT THE DENNIS GROUP, LLC
BOLTS 3/4"Ø A325-N-ST UNO	
PAINT GALVANIZED UNO	

03-02-09	FOR APPROVAL	
DATE	NO.	DESCRIPTION
C.M. STEEL, INC.		
CHARLOTTE/NC 28219		
704-394-6626 FAX 704-394-4278 CM-STEEL.COM		
DESCRIPTION STANDARD	DATE 02/28/2009	JOB No. 25090
	DRAWN BY TMAC	DRG No. 1HR1



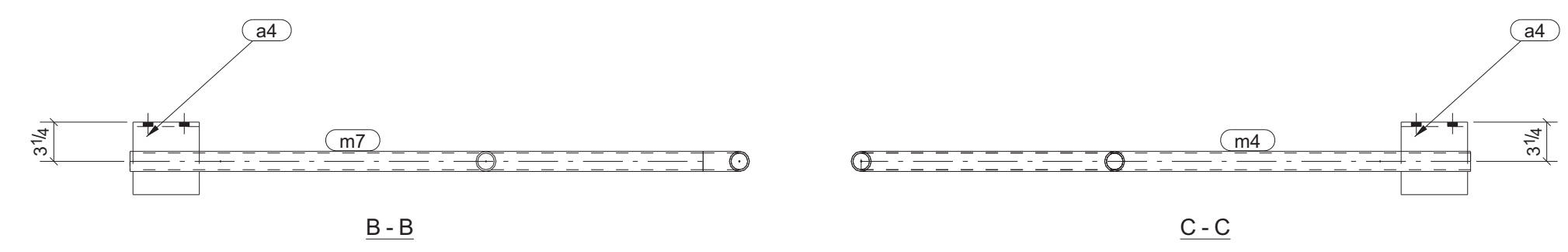
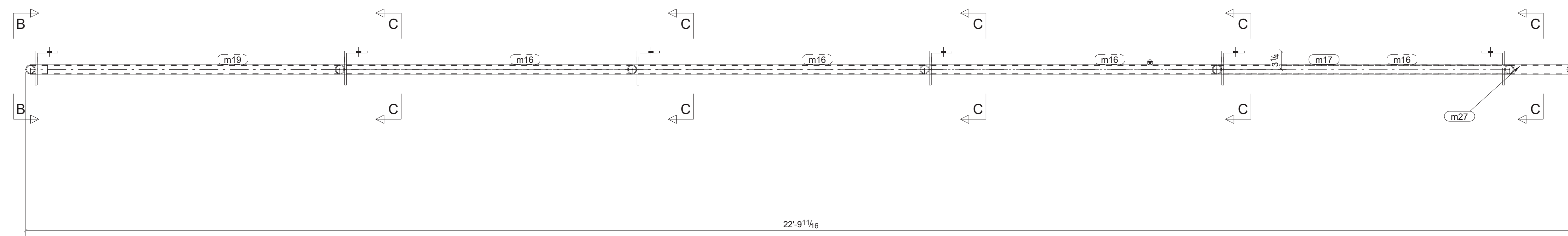
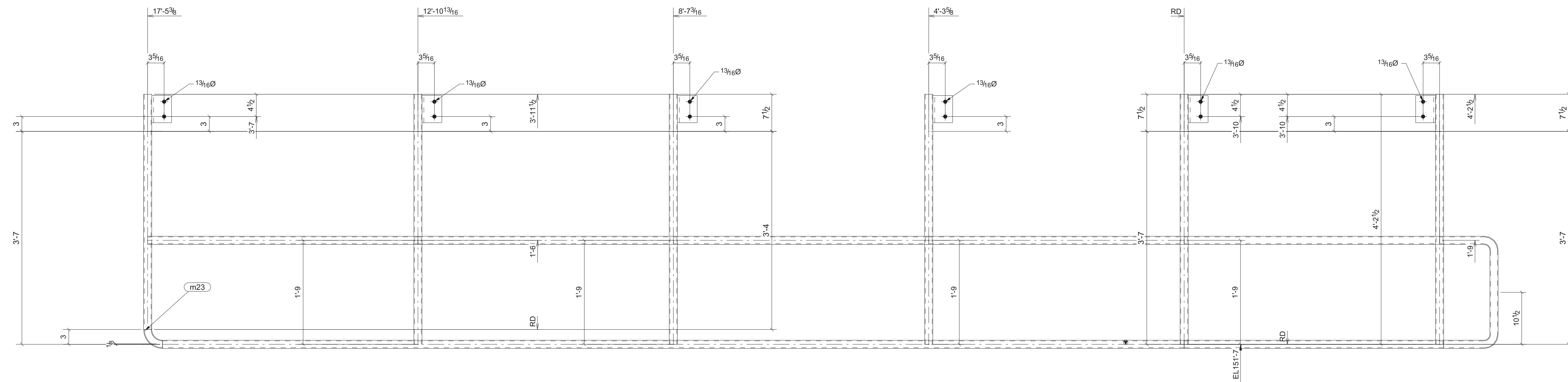
ONE - RAIL - 2HR1

BILL OF MATERIAL

Qty Ea.	Qty Tot	Piece Mark	Description	Length	Weight Total	Remarks	Adv Mill #	Steel Grade
1	1	2HR1	RAIL					
1	1		PIPE1-1/4SCH40	17'-3 1/4"	36	SQ2		A53
6	6	a4	L6X4X3/8	0'-5 1/2"	34			A36
6	6	m4	PIPE1-1/4SCH40	4'-2 1/2"	53			A53
5	5	m16	PIPE1-1/4SCH40	4'-3 5/8"	45			A53
1	1	m17	PIPE1-1/4SCH40	4'-4 7/16"	9			A53
1	1	m28	PIPE1-1/4SCH40	3'-2 7/16"	7			A53
1	1	m30	PIPE1-1/4SCH40	4'-0 7/16"	9			A53

STEEL ASTM A992 UNO	PROJECT NAME Sabra - Project Boaz
ELECTRODES E70xx LH UNO	LOCATION COLONIAL HEIGHTS VIRGINIA
WELDS 1/4 BUTT/FILLET U.N. UNO	CONTRACTOR STEEL FAB
OPEN HOLES 13/16" UNO	ARCHITECT THE DENNIS GROUP, LLC
BOLTS 3/4"Ø A325-N-ST UNO	
PAINT GALVANIZED UNO	

03-02-09	FOR APPROVAL	
DATE	NO.	DESCRIPTION
C.M. STEEL, INC. CHARLOTTE/NC 28219 704-394-6626 FAX 704-394-4278 CM-STEEL.COM		
DESCRIPTION STANDARD	DATE 02/28/2009	JOB No. 25090
	DRAWN BY TMAC	DRG No. 2HR1



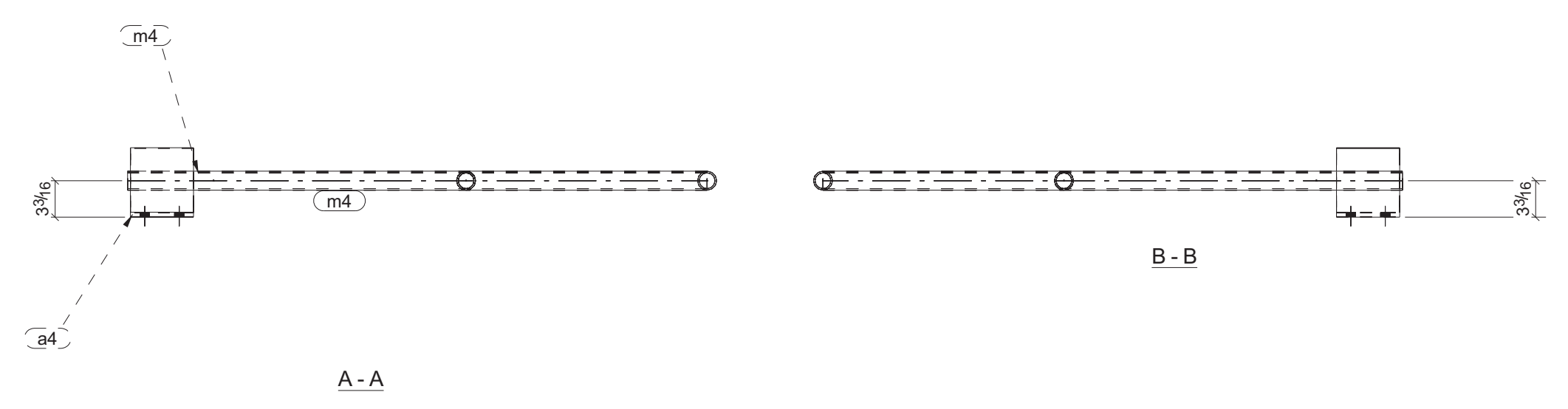
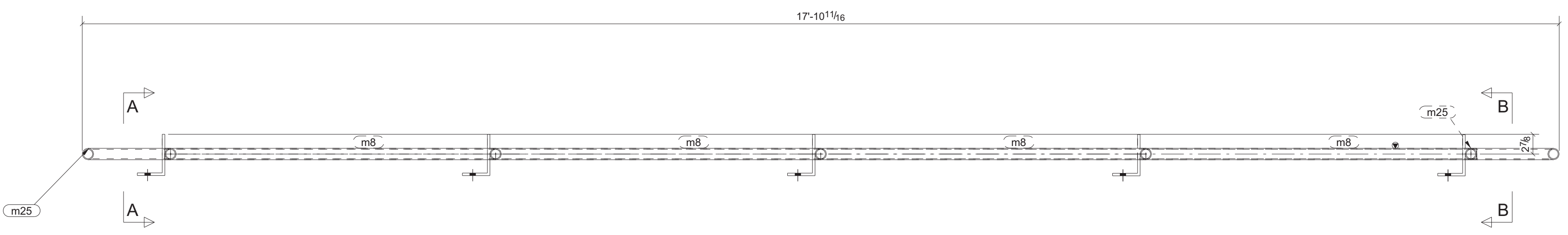
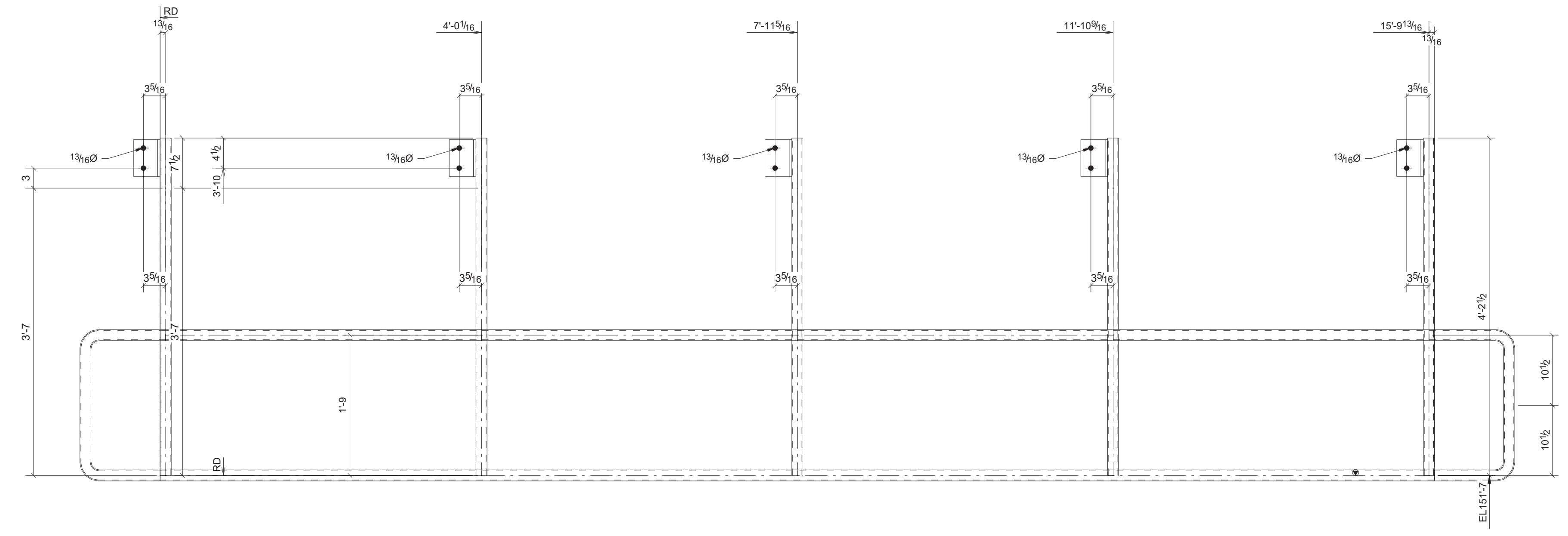
ONE - RAIL - 3HR1

BILL OF MATERIAL

Qty Ea.	Qty Tot	Piece Mark	Description	Length	Weight Total	Remarks	Adv Mill #	Steel Grade
	1	3HR1	RAIL					
1	1		PIPE1-1/4SCH40	17'-2 3/8"	36	SQ-2		A53
6	6	a4	L6X4X3/8	0'-5 1/2"	34			A36
5	5	m4	PIPE1-1/4SCH40	4'-2 1/2"	44			A53
1	1	m7	PIPE1-1/4SCH40	3'-11 1/2"	8			A53
4	4	m16	PIPE1-1/4SCH40	4'-3 5/8"	36			A53
1	1	m17	PIPE1-1/4SCH40	4'-4 7/16"	9			A53
1	1	m19	PIPE1-1/4SCH40	4'-6 5/8"	10			A53
1	1	m23	PIPE1-1/4SCH40	0'-4 11/16"	1			A53
1	1	m27	PIPE1-1/4SCH40	3'-4 7/16"	7			A53

STEEL ASTM	A992	UNO	PROJECT NAME	Sabra - Project Boaz
ELECTRODES	E70xx LH	UNO	LOCATION	COLONIAL HEIGHTS VIRGINIA
WELDS	1/4 BUTT/FILLET U.N.	UNO	CONTRACTOR	STEEL FAB
OPEN HOLES	13/16"	UNO	ARCHITECT	THE DENNIS GROUP, LLC
BOLTS	3/4"Ø A325-N-ST	UNO		
PAINT	GALVANIZED	UNO		

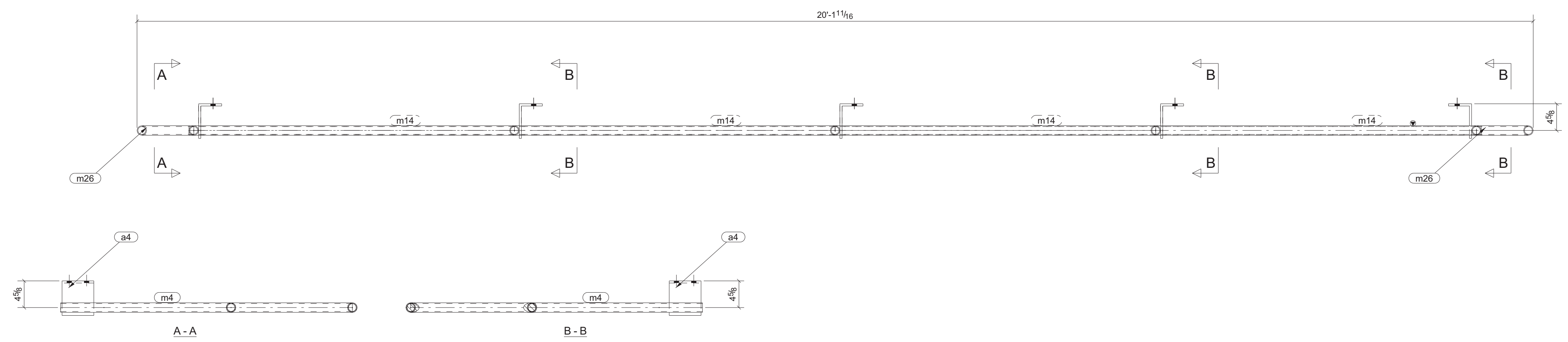
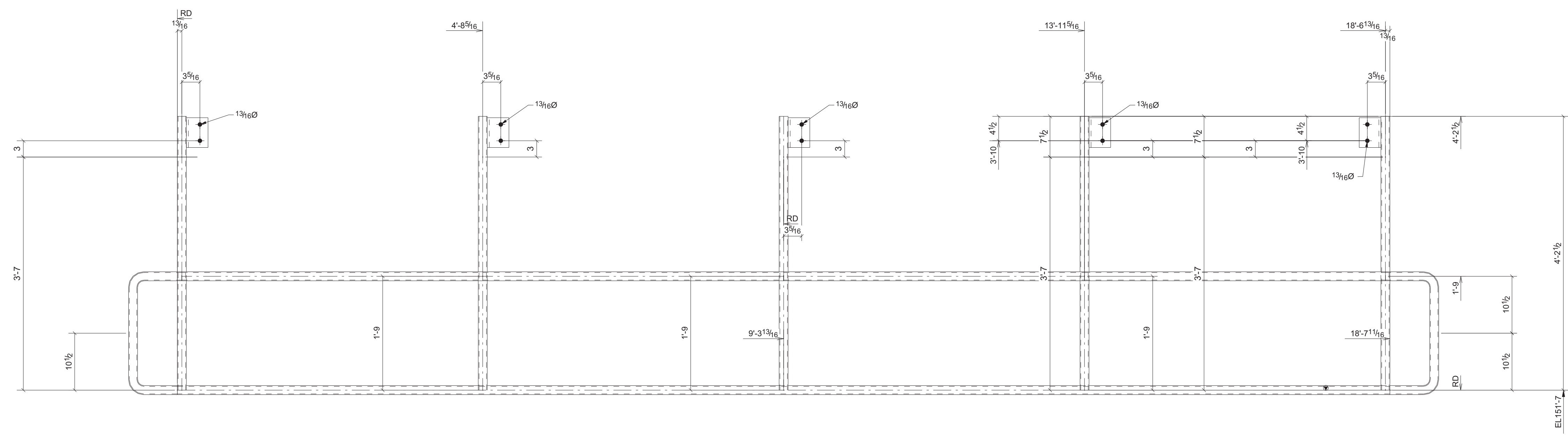
03-02-09	FOR APPROVAL		
DATE	NO.	DESCRIPTION	BY
C.M. STEEL, INC.			
CHARLOTTE/NC 28219			
704-394-6626 FAX 704-394-4278 CM-STEEL.COM			
DESCRIPTION	DATE	JOB No.	
STANDARD	02/28/2009	25090	
	DRAWN BY	DRG No.	
	TMAC	3HR1	



ONE - RAIL - 4HR1

BILL OF MATERIAL								
Qty Ea.	Qty Tot	Piece Mark	Description	Length	Weight Total	Remarks	Adv Mill #	Steel Grade
	1	4HR1	RAIL					
1	1		PIPE1-1/4SCH40	15'-10 11/16"	34	SQ2		A53
5	5	a4	L6X4X3/8	0'-5 1/2"	28			A36
5	5	m4	PIPE1-1/4SCH40	4'-2 1/2"	44			A53
4	4	m8	PIPE1-1/4SCH40	3'-11 1/4"	33			A53
2	2	m25	PIPE1-1/4SCH40	3'-6 7/16"	15			A53

STEEL ASTM A992 UNO	PROJECT NAME Sabra - Project Boaz	03-02-09	FOR APPROVAL	
ELECTRODES E70xx LH UNO	LOCATION COLONIAL HEIGHTS VIRGINIA	DATE	NO.	DESCRIPTION
WELDS 1/4 BUTT/FILLET U.N. UNO	CONTRACTOR STEEL FAB	C.M. STEEL, INC. CHARLOTTE/NC 28219 704-394-6626 FAX 704-394-4278 CM-STEEL.COM		
OPEN HOLES 13/16" UNO	ARCHITECT THE DENNIS GROUP, LLC			
BOLTS 3/4"Ø A325-N-ST UNO		DATE 02/28/2009	JOB No. 25090	
PAINT GALVANIZED UNO		DRAWN BY TMAC	DRG No. 4HR1	
DESCRIPTION STANDARD				

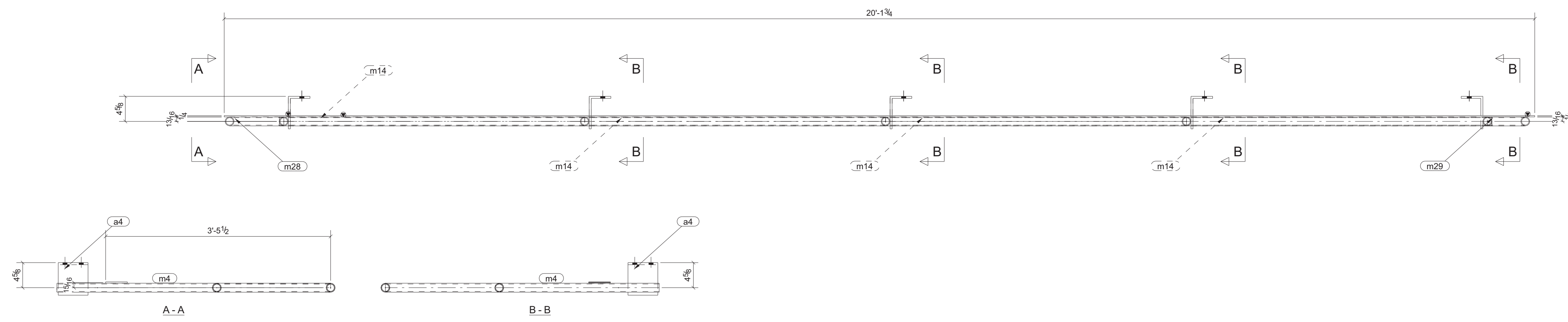
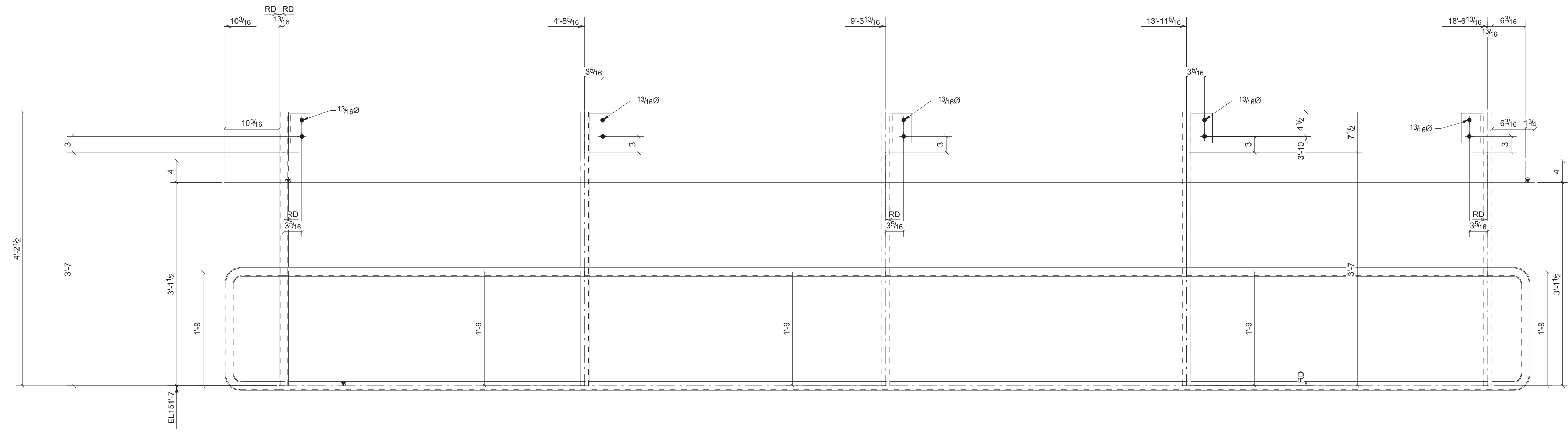


ONE - RAIL - 5HR1

BILL OF MATERIAL								
Qty Ea.	Qty Tot	Piece Mark	Description	Length	Weight Total	Remarks	Adv Mill #	Steel Grade
	1	5HR1	RAIL					
1	1		PIPE1-1/4SCH40	18'-7 11/16"	39	SQ2		A53
5	5	a4	L6X4X3/8	0'-5 1/2"	28			A36
5	5	m4	PIPE1-1/4SCH40	4'-2 1/2"	44			A53
4	4	m14	PIPE1-1/4SCH40	4'-7 1/2"	39			A53
2	2	m26	PIPE1-1/4SCH40	3'-0 7/16"	13			A53

STEEL ASTM A992 UNO	PROJECT NAME Sabra - Project Boaz
ELECTRODES E70xx LH UNO	LOCATION COLONIAL HEIGHTS VIRGINIA
WELDS 1/4 BUTT/FILLET U.N. UNO	CONTRACTOR STEEL FAB
OPEN HOLES 13/16" UNO	ARCHITECT THE DENNIS GROUP, LLC
BOLTS 3/4"Ø A325-N-ST UNO	
PAINT GALVANIZED UNO	

03-02-09	FOR APPROVAL	
DATE	NO.	DESCRIPTION
C.M. STEEL, INC. CHARLOTTE/NC 28219 704-394-6626 FAX 704-394-4278 CM-STEEL.COM		
DESCRIPTION STANDARD	DATE 02/28/2009	JOB No. 25090
	DRAWN BY TMAC	DRG No. 5HR1



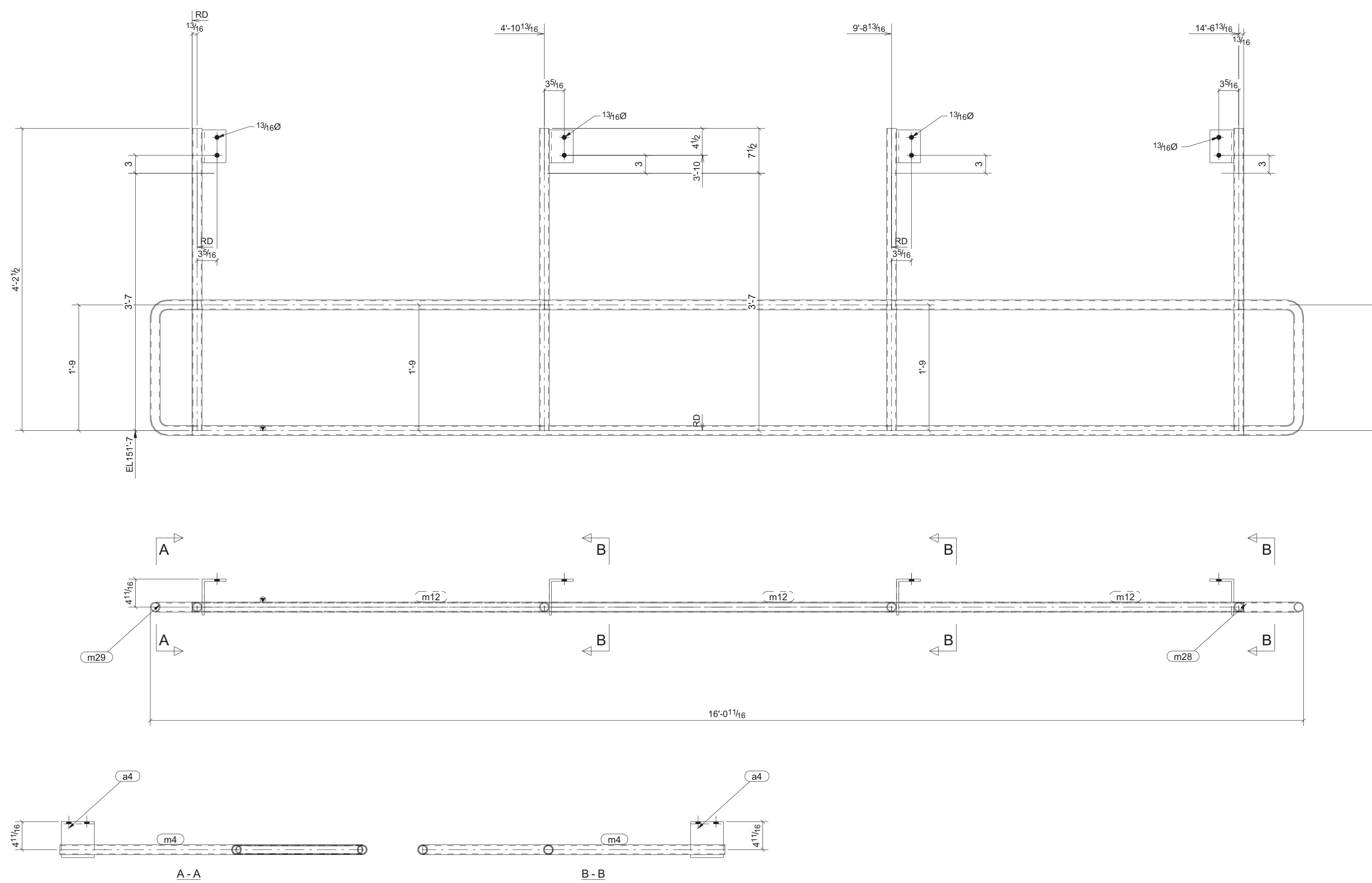
ONE - RAIL - 6HR1

BILL OF MATERIAL

Qty Ea.	Qty Tot	Piece Mark	Description	Length	Weight Total	Remarks	Adv Mill #	Steel Grade
	1	6HR1	RAIL					
1	1		PIPE1-1/4SCH40	18'-7 11/16"	39	SQ-2		A53
5	5	a4	L6X4X3/8	0'-5 1/2"	28			A36
5	5	m4	PIPE1-1/4SCH40	4'-2 1/2"	44			A53
4	4	m14	PIPE1-1/4SCH40	4'-7 1/2"	39			A53
1	1	m28	PIPE1-1/4SCH40	3'-2 7/16"	7			A53
1	1	m29	PIPE1-1/4SCH40	2'-8 7/16"	6			A53
5	5	TP1	TOE_PLATE					
5	5		FL1/4"X4"	20'-0"	340	SQ-2		A36
1	1	TP2	TOE_PLATE					
1	1		FL1/4"X1 3/4"	0'-4"	0	SQ-2		A36

STEEL ASTM A992	UNO	PROJECT NAME	Sabra - Project Boaz
ELECTRODES E70xx LH	UNO	LOCATION	COLONIAL HEIGHTS VIRGINIA
WELDS 1/4 BUTT/FILLET U.N.	UNO	CONTRACTOR	STEEL FAB
OPEN HOLES 13/16"	UNO	ARCHITECT	THE DENNIS GROUP, LLC
BOLTS 3/4" A325-N-ST	UNO		
PAINT GALVANIZED	UNO		

03-02-09	FOR APPROVAL		
DATE	NO.	DESCRIPTION	BY
C.M. STEEL, INC.			
CHARLOTTE/NC 28219			
704-394-6626 FAX 704-394-4278 CM-STEEL.COM			
DESCRIPTION	DATE	JOB No.	
STANDARD	02/28/2009	25090	
	DRAWN BY	DRG No.	
	TMAC	6HR1	

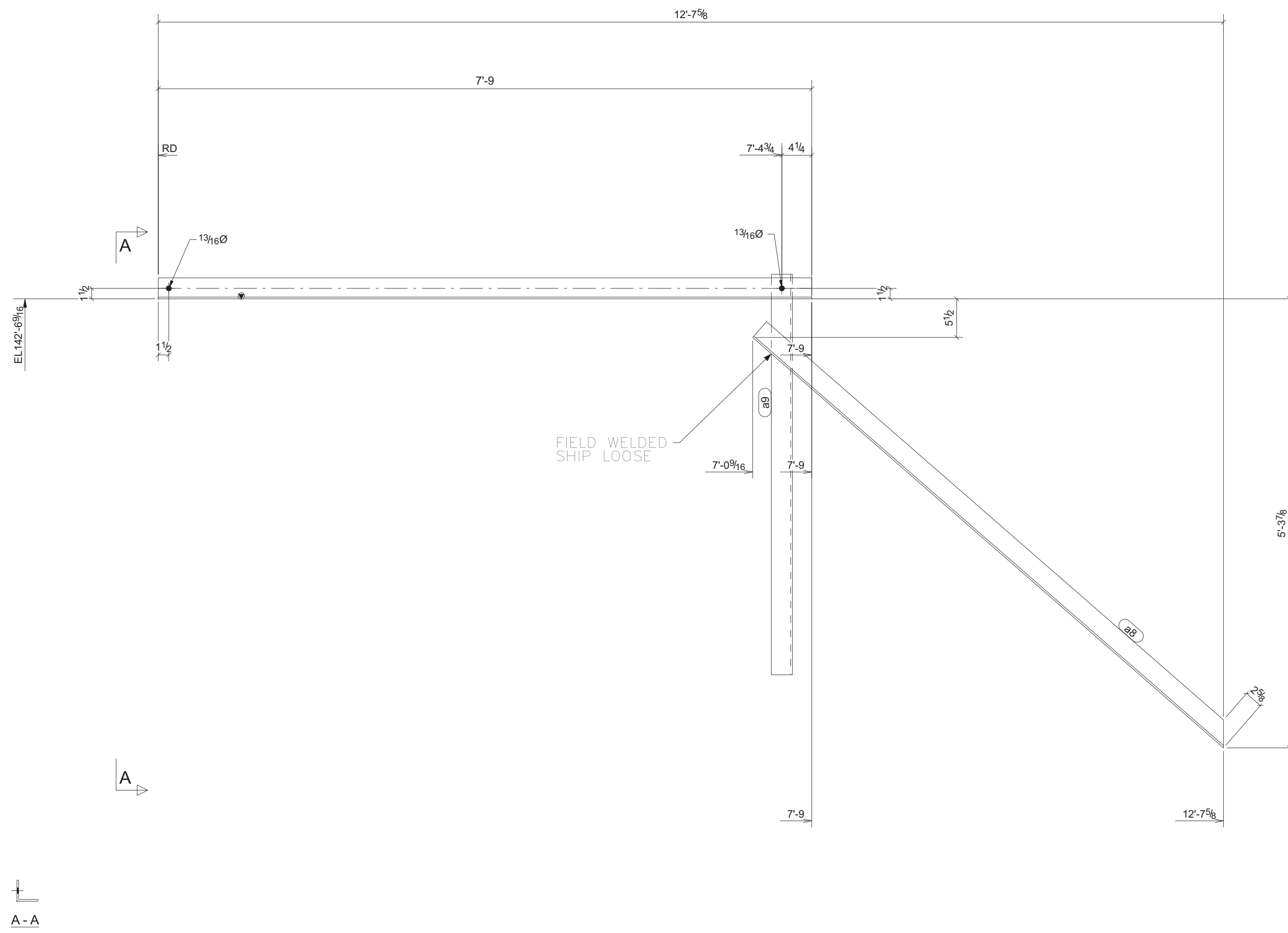


ONE - RAIL - 7HR1

BILL OF MATERIAL								
Qty	Qty	Piece	Description	Length	Weight	Remarks	Adv	Steel
Eq.	Tot	Mark			Total		Mill #	Grade
1	1	7HR1	RAIL					
1	1		PIPE1-1/4SCH40	14'-7 11/16"	31	SQ-2		A53
4	4	a4	L6X4X3/8	0'-5 1/2"	23			A36
4	4	m4	PIPE1-1/4SCH40	4'-2 1/2"	36			A53
3	3	m12	PIPE1-1/4SCH40	4'-10"	31			A53
1	1	m28	PIPE1-1/4SCH40	3'-2 7/16"	7			A53
1	1	m29	PIPE1-1/4SCH40	2'-8 7/16"	6			A53

STEEL ASTM A992	UNO	PROJECT NAME	Sabra - Project Boaz
ELECTRODES E70xx LH	UNO	LOCATION	COLONIAL HEIGHTS VIRGINIA
WELDS 1/4 BUTT/FILLET U.N.	UNO	CONTRACTOR	STEEL FAB
OPEN HOLES 13/16"	UNO	ARCHITECT	THE DENNIS GROUP, LLC
BOLTS 3/4"Ø A325-N-ST	UNO		
PAINT GALVANIZED	UNO		

03-02-09	FOR APPROVAL		
DATE	NO.	DESCRIPTION	BY
C.M. STEEL, INC.			
CHARLOTTE/NC 28219			
704-394-6626 FAX 704-394-4278 CM-STEEL.COM			
DESCRIPTION	DATE	JOB No.	
STANDARD	02/28/2009	25090	
	DRAWN BY	DRG No.	
	TMAC	7HR1	



ONE - ANGLE - 9M1

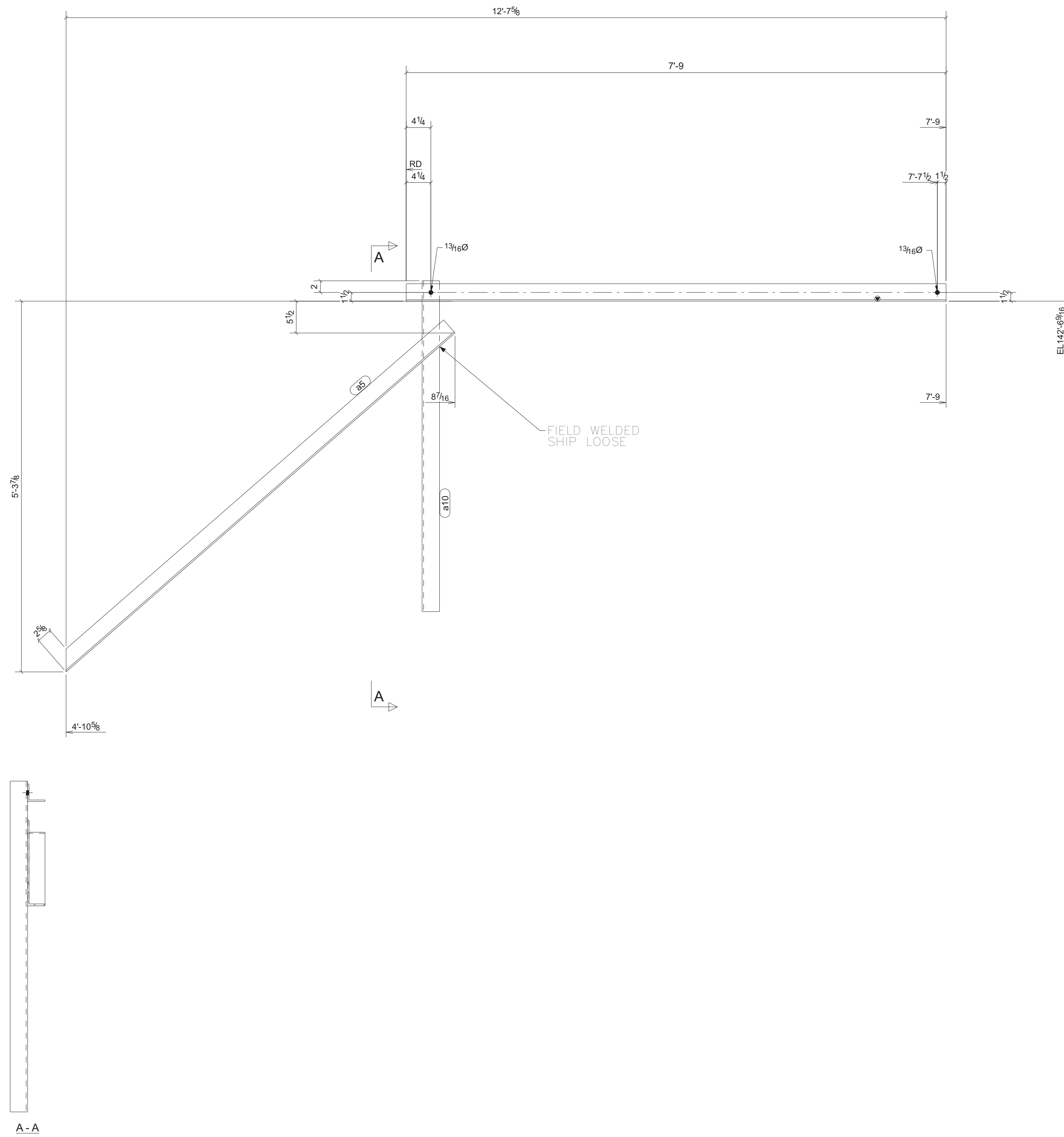
BILL OF MATERIAL									
Qty Ea.	Qty Tot	Piece Mark	Description	Length	Weight Total	Remarks	Adv Mill #	Steel Grade	
	1	9M1	ANGLE						
1	1		L3X3X1/4	7'-9"	38	S2-2		A36	
1	1	a8	L3X3X1/4	7'-4 7/8"	36			A36	
1	1	a9	L3X3X1/4	4'-9"	23			A36	

STEEL ASTM	A992	UNO
ELECTRODES	E70xx LH	UNO
WELDS	1/4 BUTT/FILLET U.N.	UNO
OPEN HOLES	13/16"	UNO
BOLTS	3/4"Ø A325-N-ST	UNO
PAINT	GALVANIZED	UNO

PROJECT NAME	Sabra - Project Boaz
LOCATION	COLONIAL HEIGHTS VIRGINIA
CONTRACTOR	STEEL FAB
ARCHITECT	THE DENNIS GROUP, LLC

DATE	03-02-09	NO.	FOR APPROVAL
DESCRIPTION	STANDARD	DATE	02/28/2009
		JOB No.	25090
		DRG No.	9M1

DATE	03-02-09	NO.	FOR APPROVAL
C.M. STEEL, INC.			
CHARLOTTE/NC 28219			
704-394-6626 FAX 704-394-4278 CM-STEEL.COM			
DESCRIPTION	STANDARD	DATE	02/28/2009
		JOB No.	25090
		DRG No.	9M1



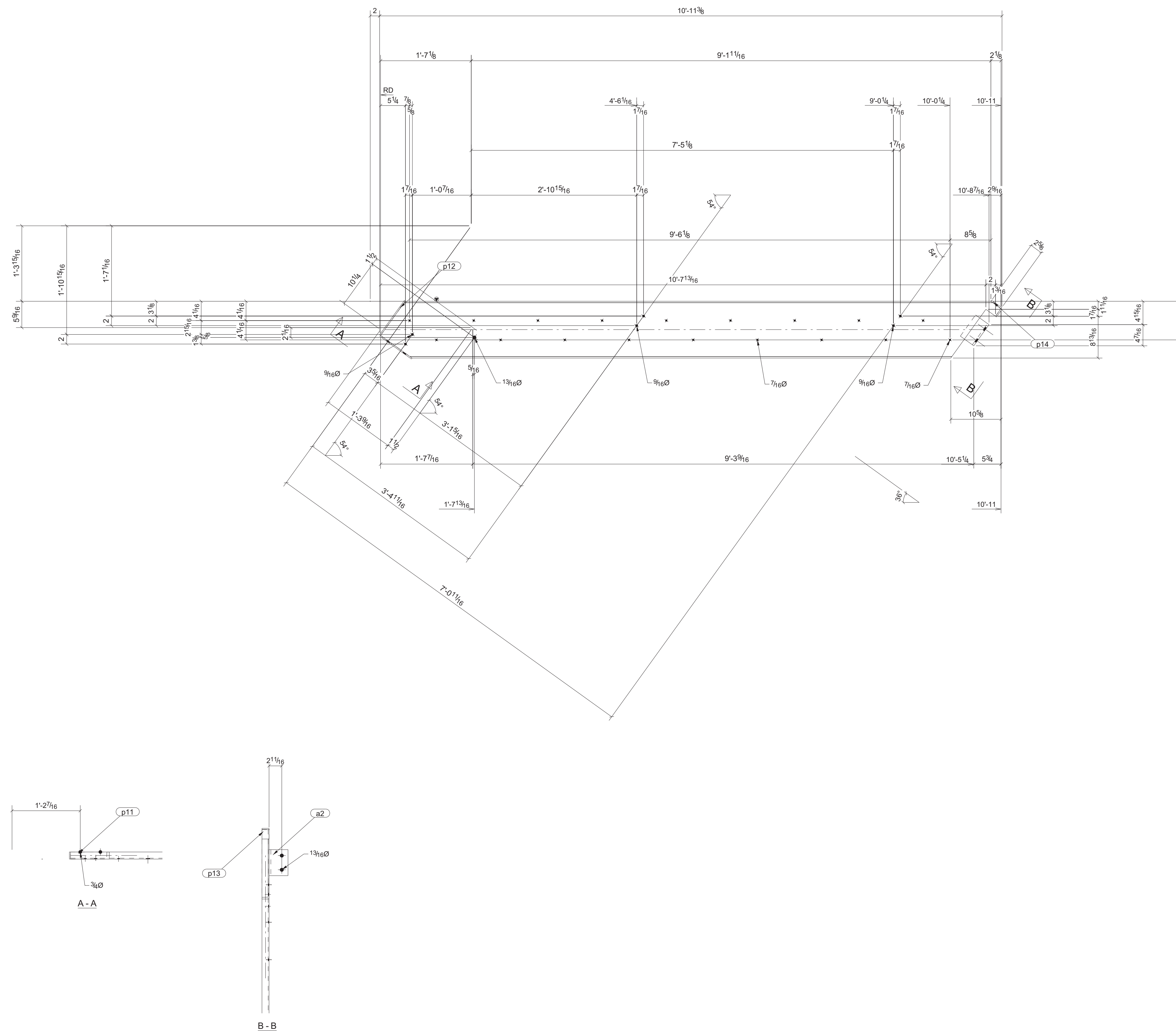
ONE - ANGLE - 10M1

BILL OF MATERIAL

Qty Ea.	Qty Tot	Piece Mark	Description	Length	Weight Total	Remarks	Adv Mill #	Steel Grade
1	1	10M1	ANGLE					
1	1	a5	L3X3X1/4	7'-9"	38	SQ-2		A36
1	1	a5	L3X3X1/4	7'-4 7/8"	36			A36
1	1	a10	L3X3X1/4	4'-9"	23			A36

STEEL ASTM	A992	UNO	PROJECT NAME	Sabra - Project Boaz
ELECTRODES	E70xx LH	UNO	LOCATION	COLONIAL HEIGHTS VIRGINIA
WELDS	1/4 BUTT/FILLET U.N.	UNO	CONTRACTOR	STEEL FAB
OPEN HOLES	13/16"	UNO	ARCHITECT	THE DENNIS GROUP, LLC
BOLTS	3/4"Ø A325-N-ST	UNO		
PAINT	GALVANIZED	UNO		

03-02-09	FOR APPROVAL	
DATE	NO.	DESCRIPTION
C.M. STEEL, INC.		
CHARLOTTE/NC 28219		
704-394-6626 FAX 704-394-4278 CM-STEEL.COM		
DESCRIPTION	DATE	JOB No.
STANDARD	02/28/2009	25090
	DRAWN BY	DRG No.
	TMAC	10M1



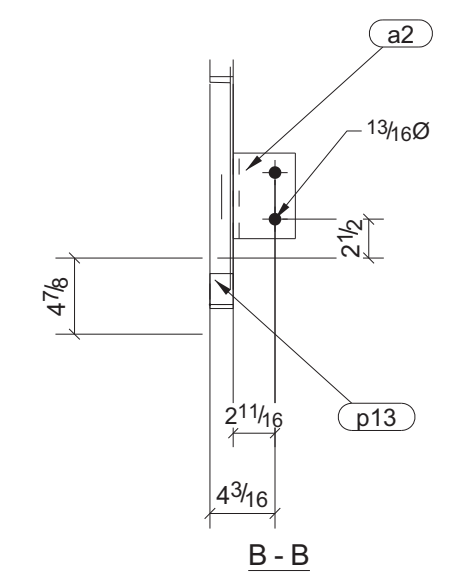
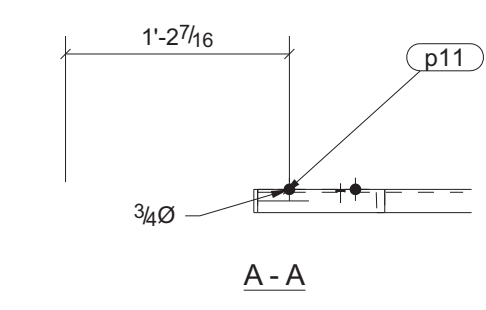
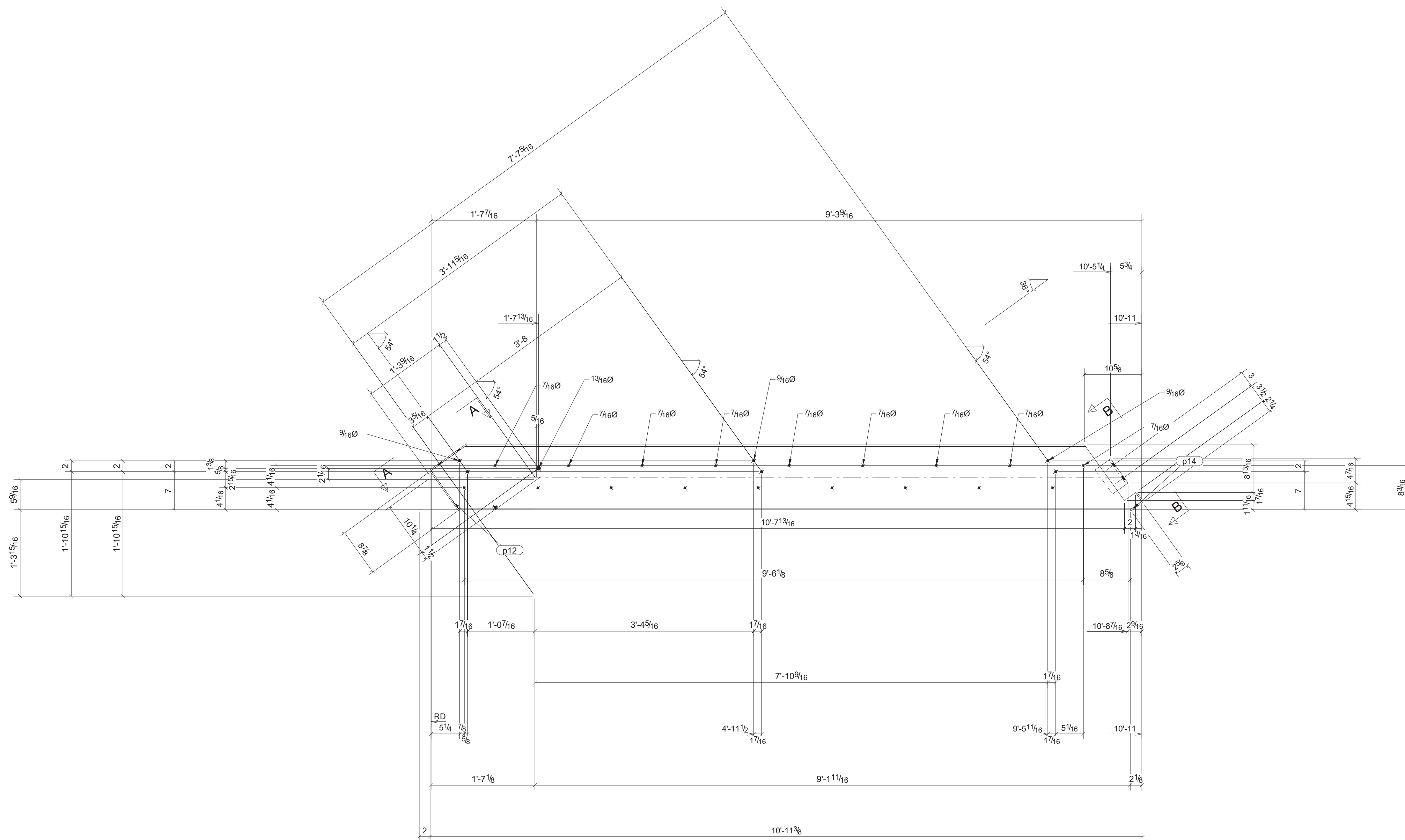
ONE - STRINGER - 11SS1

BILL OF MATERIAL

Qty	Qty	Piece	Description	Length	Weight	Remarks	Adv	Steel
Ea.	Tot	Mark			Total		Mill #	Grade
1	1	11SS1	STRINGER	10'-11"	115	BEV-2		A36
1	1	a2	MC12X10.6	0'-5 1/2"	4			A36
1	1	p11	L4X3-1/2X3/8	0'-8 3/16"	1			A36
1	1	p12	FL1/4"X1 1/2"	0'-8 7/8"	1			A36
1	1	p13	FL1/4"X1 1/2"	0'-2"	0			A36
1	1	p14	FL1/4"X1 1/2"	0'-2 5/8"	0			A36

STEEL ASTM A992	UNO	PROJECT NAME	Sabra - Project Boaz
ELECTRODES E70xx LH	UNO	LOCATION	COLONIAL HEIGHTS VIRGINIA
WELDS 1/4 BUTT/FILLET U.N.	UNO	CONTRACTOR	STEEL FAB
OPEN HOLES 13/16"	UNO	ARCHITECT	THE DENNIS GROUP, LLC
BOLTS 3/4" A325-N-ST	UNO		
PAINT GALVANIZED	UNO		

03-02-09	FOR APPROVAL		
DATE	NO.	DESCRIPTION	BY
		C.M. STEEL, INC. CHARLOTTE/NC 28219 704-394-6626 FAX 704-394-4278 CM-STEEL.COM	
DESCRIPTION	DATE	JOB No.	
STANDARD	02/28/2009	25090	
	DRAWN BY	DRG No.	
	TMAC	11SS1	

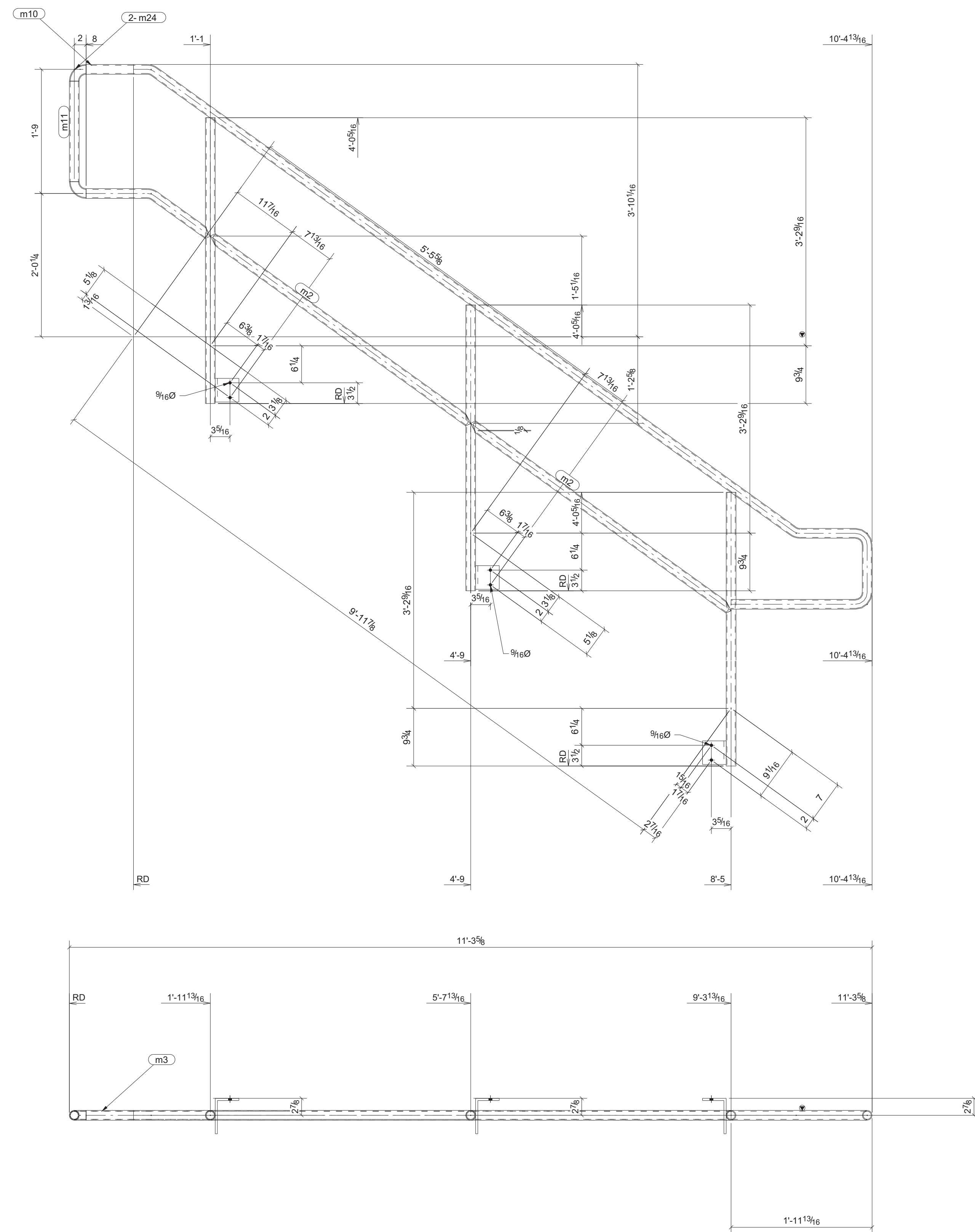


ONE - STRINGER - 12SS1

BILL OF MATERIAL								
Qty Ea.	Qty Tot	Piece Mark	Description	Length	Weight Total	Remarks	Adv Mill #	Steel Grade
	1	12SS1	STRINGER					
1	1		MC12X10.6	10'-11"	115	BEV-2		A36
1	1	a2	L4X3-1/2X3/8	0'-5 1/2"	4			A36
1	1	p11	FL1/4"X1 1/2"	0'-8 3/16"	1			A36
1	1	p12	FL1/4"X1 1/2"	0'-8 7/8"	1			A36
1	1	p13	FL1/4"X1 1/2"	0'-2"	0			A36
1	1	p14	FL1/4"X1 1/2"	0'-2 5/8"	0			A36

STEEL ASTM A992	UNO	PROJECT NAME	Sabra - Project Boaz
ELECTRODES E70xx LH	UNO	LOCATION	COLONIAL HEIGHTS VIRGINIA
WELDS 1/4 BUTT/FILLET U.N.	UNO	CONTRACTOR	STEEL FAB
OPEN HOLES 13/16"	UNO	ARCHITECT	THE DENNIS GROUP, LLC
BOLTS 3/4"Ø A325-N-ST	UNO		
PAINT GALVANIZED	UNO		

03-02-09	FOR APPROVAL		
DATE	NO.	DESCRIPTION	BY
C.M. STEEL, INC.			
CHARLOTTE/NC 28219			
704-394-6626 FAX 704-394-4278 CM-STEEL.COM			
DESCRIPTION	DATE	JOB No.	
STANDARD	02/28/2009	25090	
	DRAWN BY	DRG No.	
	TMAC	12SS1	



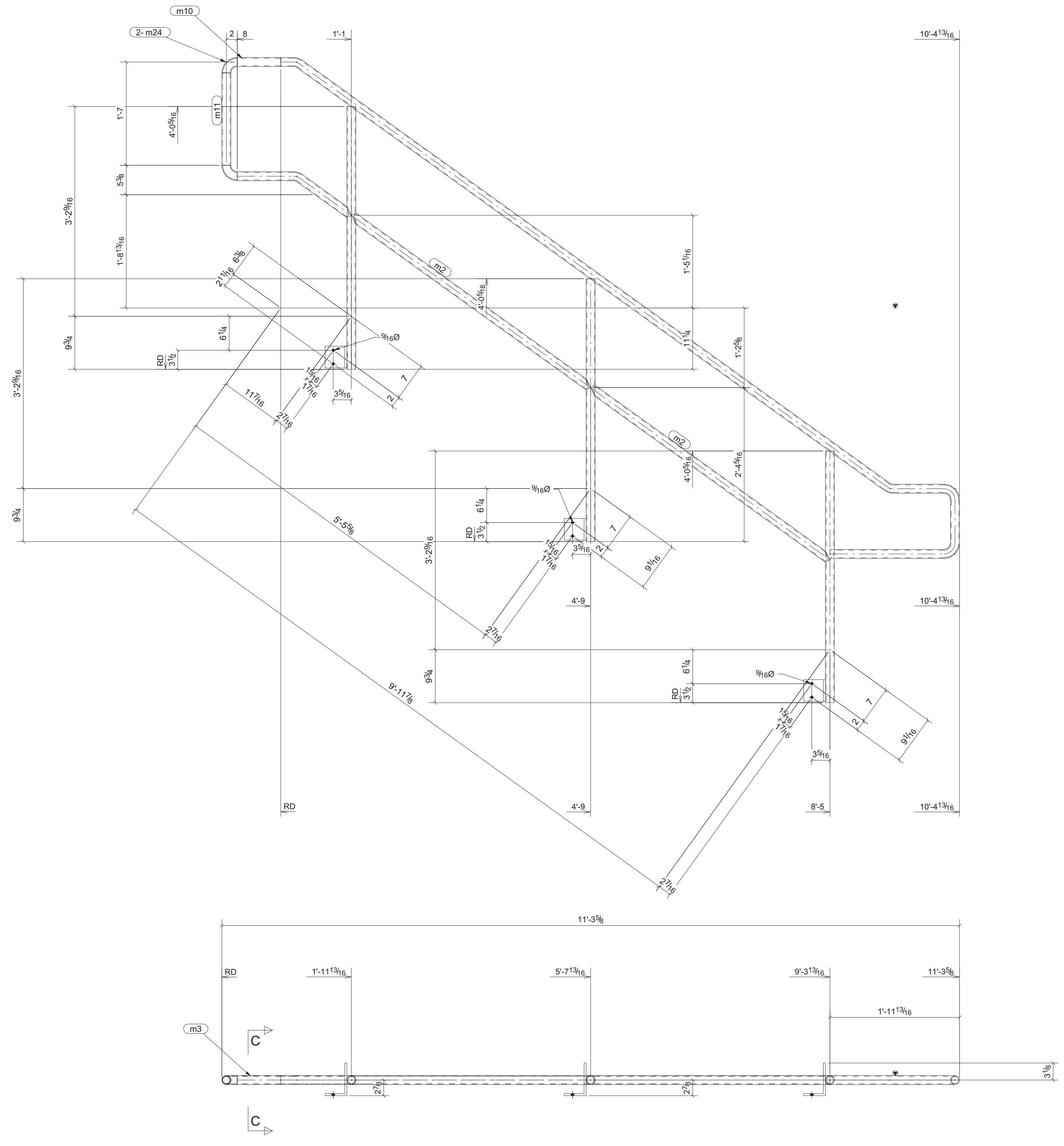
ONE - RAIL - HR1

BILL OF MATERIAL

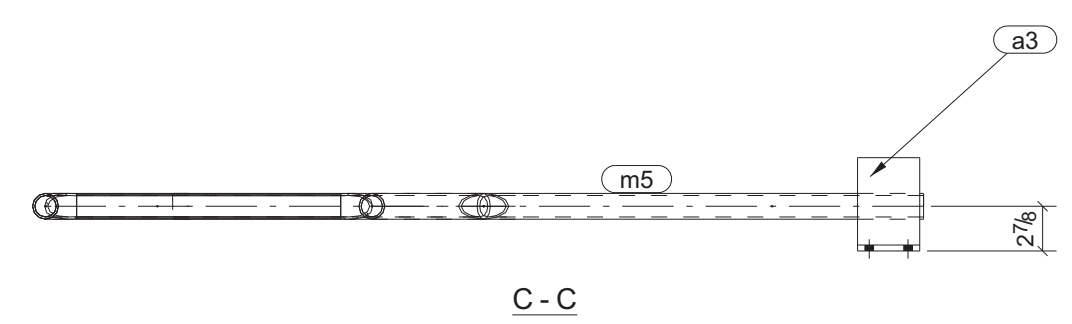
Qty Ea.	Qty Tot	Piece Mark	Description	Length	Weight Total	Remarks	Adv Mill #	Steel Grade
1	1	HR1	RAIL					
1	1		PIPE1-1/4SCH40	15'-2 1/2"	32	SQ-2		A53
3	3	a3	L6X4X3/8	0'-4"	12			A36
2	2	m2	PIPE1-1/4SCH40	4'-6 3/16"	19			A53
1	1	m3	PIPE1-1/4SCH40	1'-11 1/4"	4			A53
3	3	m5	PIPE1-1/4SCH40	4'-0 5/16"	25			A53
1	1	m10	PIPE1-1/4SCH40	0'-8"	1			A53
1	1	m11	PIPE1-1/4SCH40	1'-5"	3			A53
2	2	m24	PIPE1-1/4SCH40	0'-3 1/8"	1			A53

STEEL ASTM A992 UNO	PROJECT NAME Sabra - Project Boaz
ELECTRODES E70xx LH UNO	LOCATION COLONIAL HEIGHTS VIRGINIA
WELDS 1/4 BUTT/FILLET U.N. UNO	CONTRACTOR STEEL FAB
OPEN HOLES 13/16" UNO	ARCHITECT THE DENNIS GROUP, LLC
BOLTS 3/4"Ø A325-N-ST UNO	
PAINT GALVANIZED UNO	

03-02-09	FOR APPROVAL	
DATE	NO.	DESCRIPTION
C.M. STEEL, INC.		
CHARLOTTE/NC 28219		
704-394-6626 FAX 704-394-4278 CM-STEEL.COM		
STANDARD	DATE 02/28/2009	JOB No. 25090
	DRAWN BY TMAC	DRG No. HR1



ONE - RAIL - HR2



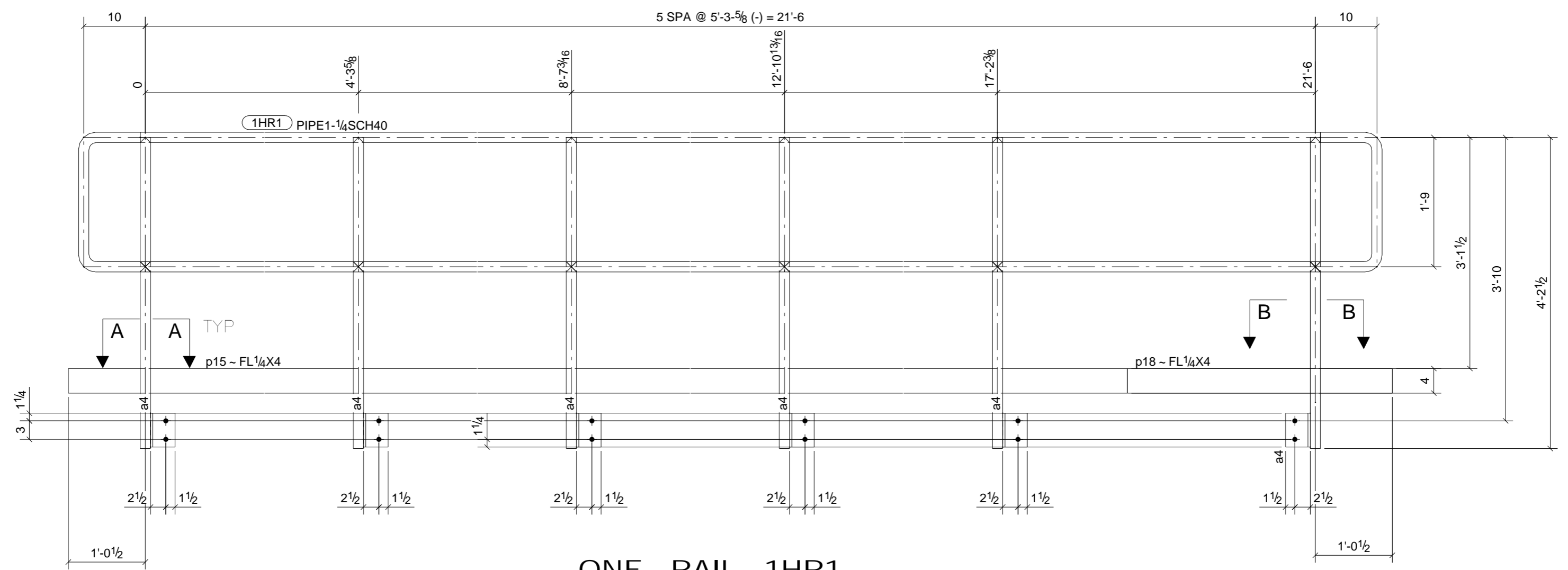
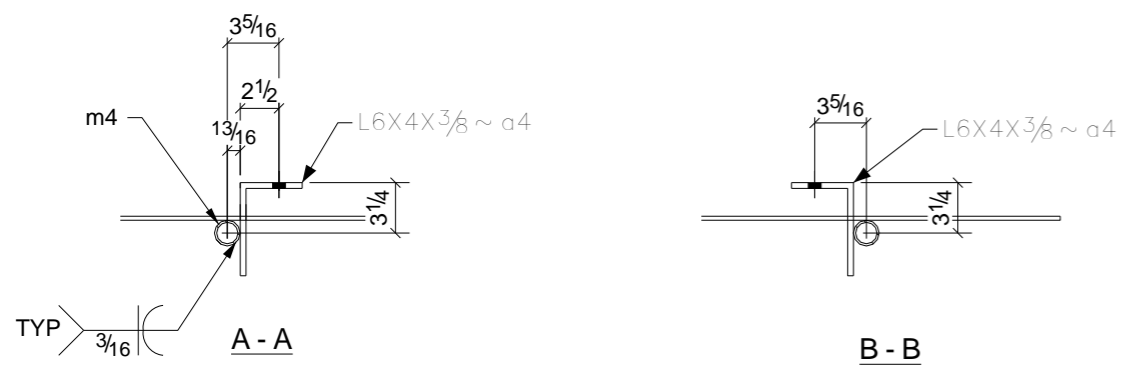
BILL OF MATERIAL

Qty Ea.	Qty Tot	Piece Mark	Description	Length	Weight Total	Remarks	Adv Mill #	Steel Grade
1	1	HR2	RAIL					
1	1		PIPE1-1/4SCH40	15'-2 1/2"	32	SQ-2		A53
3	3	a3	L6X4X3/8	0'-4"	12			A36
2	2	m2	PIPE1-1/4SCH40	4'-6 3/16"	19			A53
1	1	m3	PIPE1-1/4SCH40	1'-11 1/4"	4			A53
3	3	m5	PIPE1-1/4SCH40	4'-0 5/16"	25			A53
1	1	m10	PIPE1-1/4SCH40	0'-8"	1			A53
1	1	m11	PIPE1-1/4SCH40	1'-5"	3			A53
2	2	m24	PIPE1-1/4SCH40	0'-3 1/8"	1			A53

STEEL ASTM A992 UNO	PROJECT NAME Sabra - Project Boaz
ELECTRODES E70xx LH UNO	LOCATION COLONIAL HEIGHTS VIRGINIA
WELDS 1/4 BUTT/FILLET U.N. UNO	CONTRACTOR STEEL FAB
OPEN HOLES 13/16" UNO	ARCHITECT THE DENNIS GROUP, LLC
BOLTS 3/4"Ø A325-N-ST UNO	
PAINT GALVANIZED UNO	

03-02-09	FOR APPROVAL	
DATE	NO.	DESCRIPTION
C.M. STEEL, INC.		
CHARLOTTE/NC 28219		
704-394-6626 FAX 704-394-4278 CM-STEEL.COM		
STANDARD	DATE 02/28/2009	JOB No. 25090
	DRAWN BY TMAC	DRG No. HR2

BILL OF MATERIAL				
MARK	QTY	DESCRIPTION	LENGTH	REMARKS
1HR1	1	RAIL		
		PIPE1-1/4SCH40	74'-9 9/16"	Total Length
a4	6	L6X4X3/8	0'-5 1/2"	
p15	1	FL1/4"X4"	20'-0"	
p18	1	FL1/4"X4"	3'-7"	



ONE - RAIL - 1HR1

STEEL ASTM	A992	UNO
ELECTRODES	E70xx LH	UNO
WELDS	1/4 BUTT/FILLET U.N.	UNO
OPEN HOLES	13/16"	UNO
BOLTS	3/4"Ø A325-N-ST	UNO
PAINT	GALVANIZED	UNO

PROJECT NAME	Sabra - Project Boaz
LOCATION	COLONIAL HEIGHTS VIRGINIA
CONTRACTOR	STEEL FAB
ARCHITECT	THE DENNIS GROUP, LLC

04-07-09	DATE	NO.	For Fabrication	DESCRIPTION	TMc
					BY
C.M. STEEL, INC.					
CHARLOTTE/NC 28219					
704-394-6626 FAX 704-394-4278 CM-STEEL.COM					
DESCRIPTION			DATE	JOB No.	
HANDRAIL			02/28/2009	25090	
			DRAWN BY	DRG No.	
			TMAC	1HR1	